



LIGHTING CONTROLS

PHOTO SWITCHES

K, LC SERIES



DESCRIPTION

The Intermatic Models K and LC Photo Switches are universally employed to control lighting loads in response to available natural light. Each will turn on at dusk and off at dawn, and each may be connected to directly switch loads up to its continuous rating or to switch larger loads through relays or contactors. Stem mount types (see specifications below) are equipped with a 1/2" MNPT nipple and locknut for mounting to a weatherproof box or conduit body. Stem/swivel mount types attach in the same manner, but include a swivel for directional aiming.

FEATURES

- On at dusk, off at dawn operation
- Weatherproof enclosure
- Simple installation and wiring
- Heavy-duty switch to control loads directly
- Fail safe, contacts remain closed in case of cell failure
- Ideal for outdoor parking, billboard, or security lighting
- UL listed, CSA approved



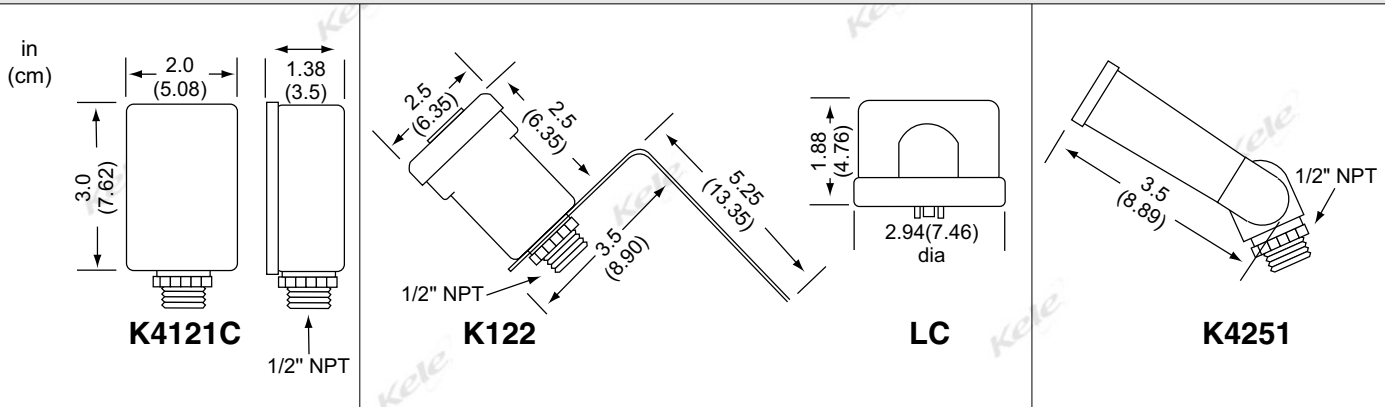
11

LIGHTING CONTROLS

SPECIFICATIONS

Supply Voltage	120/208-277/480 VAC, 50/60 Hz, <2W	Mounting	
Relay Type	SPST, N.O., Switch contact	K41, K42	Stem with 1/2" MNPT into box
Sensor Type	Cadmium Sulfide photocell	LC	Industry standard twist lock mount to K122 socket (order separately)
Setpoint	On at dusk, off at dawn operation	K122	Industry standard LC socket and pole mount bracket
K41, K4221	Slide cover adjust (On from 1-5 fc), (OFF from 3-15 fc)	Enclosure Rating	
K4251	Fixed (ON @ 5 fc), (OFF @ 15 fc)	K41, K42	Polycarbonate case and lens, equivalent to NEMA 3R
LC	Fixed (ON @ 0.5 fc), (OFF @ 15 fc)	LC	Polypropylene w/ UV protection, equivalent to NEMA 3R
Off delay	Approximately 7 minutes	Weight	
Operating Temperature		K41, K42	0.14 lb (0.06 Kg)
K41, K42	-40°F to 158°F (-40°C to 70°C)	LC	2 lb (0.09 Kg)
LC	-20°F to 104°F (-29°C to 40°C)	Approvals	California Title 20, UL File #E42722, E59121, CSA
Operating Humidity	0% to 100% Condensing	Warranty	
Wiring Terminations	Three 6" Pigtail leads, 14 AWG	K41, K42	5 year
		LC	3 year

DIMENSIONS



LIGHTING CONTROLS

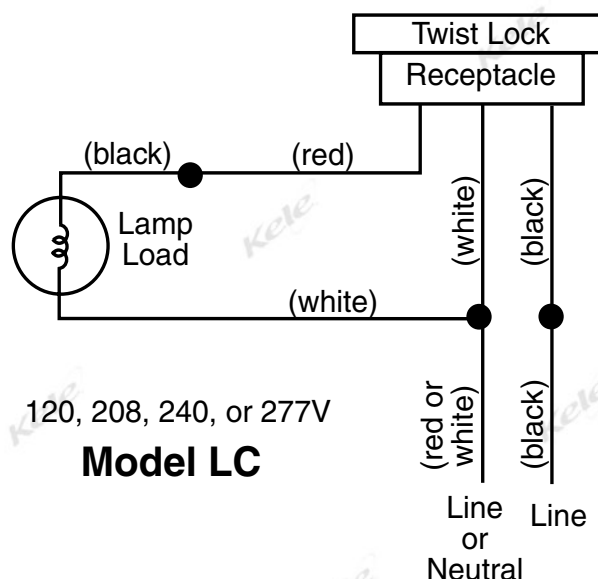
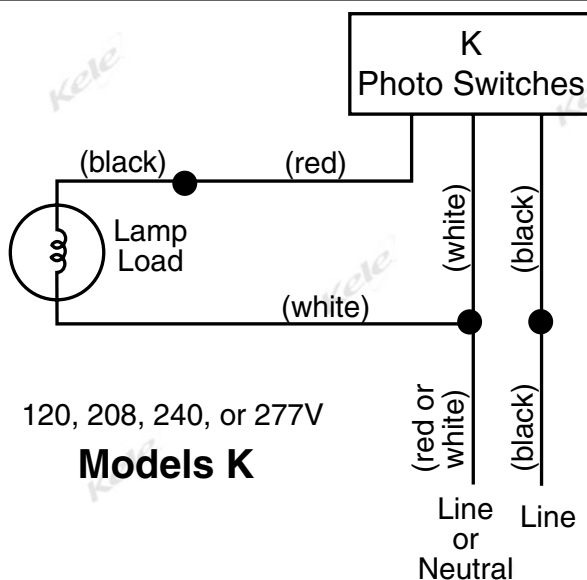
PHOTO SWITCHES K, LC SERIES



INSTALLATION

When exposed to weather, mount Models K and LC to a weatherproof hub or conduit body via 1/2" threaded nipple and teflon tape. They may be mounted to a 1/2" knockout in a handy box in locations protected from weather, such as parking garages or beneath substantial overhangs. The LC plugs into a standard mating twist-lock socket supplied by lighting fixture manufacturers or the K122 twist-lock base. K122 base includes the mounting bracket. Mount in a location facing north for normal outdoor light control application, and wire to switch the load directly or through a lighting contactor. Switching level may be adjusted on K41 by moving the slide to block more or less of the photocell window. Covering more of the window will cause lights to come on earlier in the evening (at a higher ambient light level). The K42 model is more directional and may be aimed at darker areas to adjust the level at which lights come on, or it may be aimed toward another light source to provide coordination between multiple light groups. Aiming of the LC series is set by the position of the socket base.

WIRING



ORDERING INFORMATION

Model	Mounting	Supply Voltage	Contactor Ballast	Contactor Tungsten	Foot Candles	Weight
K4121C	Stem	120 VAC 50/60 Hz	8.3A	15A	On 1-5 Off 3-15	4.0 oz (0.10 Kg)
K4123C	Stem	208-277 VAC 50/60 Hz	8.3A	15A	On 1-5 Off 3-15	4.0 oz (0.10 Kg)
K4221C	Stem/Swivel	120 VAC 50/60 Hz	8.3A	15A	On 1-5 Off 3-15	4.0 oz (0.10 Kg)
K4251	Stem/Swivel	120 VAC 50/60 Hz	8.3A	15A	On 1-5 Off 3-15	4.0 oz (0.10 Kg)
LC4521C	Twist lock*	120 VAC 50/60 Hz	8.3A	8.3A	On 5 Off 15	4.0 oz (0.10 Kg)
LC4523C	Twist lock*	208-277 VAC 50/60 Hz	8.3A	8.3A	On 5 Off 15	3.0 oz (0.09 Kg)
K122	Twist lock base	105-480 VAC 50/60 Hz	*Required Base for Twist Lock Sensors Above			3.0 oz (0.09 Kg)